

High Efficiency Toilet

1.28gpf

PF9400 Series



- 1.28 gpf HET, High Efficiency Toilet
- EPA WaterSense Certified
- High Performance 3" Flush Valve
- Uses 20% less water than standard low consumption toilets
- 2" glazed trapway
- Gravity fed, double jetted box rim
- Meets ANSI ASME A112.19.14-2006 and ASME A112.19.2M
- 8-1/2" x 7" water surface
- Available in round, elongated and ADA
- Available in white only
- Seat and supply not included



Certified by
IAPMO R&T

High Efficiency Toilet

1.28gpf

PF9400 Series



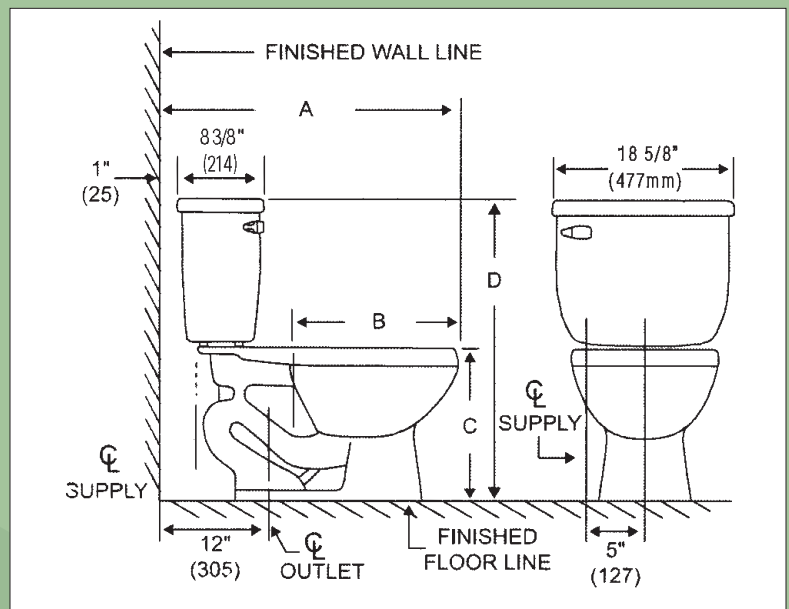
- PF9400WH** Round front
- PF9401WH** Elongated
- PF9403WH** ADA compliant
- PF9412WHC** Tank w/chrome trip lever
- PF9412RWH** RH Tank

OPTIONAL ACCESSORIES

PF140925PK Chrome Trip Lever - square style



	RF	EL	ADA
	PF9400	PF9401	PF9403
A	28-1/4"	30-1/4"	30-1/4"
B	16-1/2"	18-1/2"	18-1/2"
C	16"	16"	17"
D	30-3/4"	30-3/4"	31-3/4"



CERTIFICATION

Meets strict flushing performance guidelines established by the EPA (Environmental Protection Agency) WaterSense program. Leadership in Energy and Environmental Design (LEED) Compliant. Los Angeles Department of Water and Power (LADWP) Compliant.

This product comes complete with installation, operating, care and maintenance instructions. All PROFLO fixtures carry a 1-year limited warranty. In an effort to continually improve our products, we will make design changes from time to time. We reserve the right to ship newly designed product to fill any order unless we agree in writing to do otherwise.

